



**BAX 250**  
PART MANUAL - 26357  
Rev. B

Created: 12/11

**BAX 250**  
**PART NUMBER 55400**



# TABLE OF CONTENTS

BAX 250.....	5
Safety Precautions.....	6
Limited Warranty.....	7
Warranty Claim Instructions.....	8
Specifications.....	9
Introduction.....	10
Mounting the Bax 250 Melter.....	11
Operating Instructions	
Machine Start Up/Starting the Engine.....	12
Heated Hose, Wand, and Controller.....	12
Starting the Mixer.....	12
Dispensing the Material.....	13
Loading the Machine.....	14
Shutdown and Clean-out Procedure/Storing Machine.....	14
Instructions for Ordering Parts.....	15
Electric Hose Care and Cautions.....	15
Hose Transport Instructions.....	16
Maintenance	
Maintenance Instructions and Chart.....	17
Temperature Control Calibration.....	17
Service Instructions/Recommended Fluids and Lubricants.....	18
Trouble Shooting	
Hose Trouble Shooting - Hose Does Not Heat.....	19
Hose Trouble Shooting - Material Does Not Dispense When Pump is Activated.....	20-21
Burner Trouble Shooting.....	22
Burner Schematic.....	23
Parts	
Bax 250 Assembly - Diagram and Parts.....	24-27
Pump/Agitator Motor Assembly - Diagram and Parts.....	28-29
Power Pack Assembly - Diagram and Parts.....	30-31
Control Box Assembly - Diagram and Parts.....	32-33
Gas Manifold Assembly - Diagram and Parts.....	34-35
Hydraulic Valve Assembly - Diagram and Parts.....	36-37
Hydraulics Schematic and Parts.....	38-39
LPG Piping Diagram and Parts.....	40-41
Electrical Schematic and Parts.....	42-43

# BAX 250

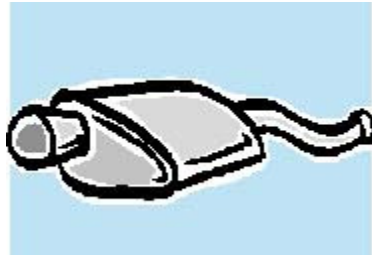
This manual is furnished with each new **CRAFCO BAX 250**. This manual will help your machine operators learn to run the melter applicator properly and understand its mechanical functions for trouble-free operation.

Your **CRAFCO BAX 250** is designed to give excellent service and save maintenance expense. However, as with all specially engineered equipment, you can get best results at minimum costs if:

1. You operate your machine as instructed in this manual.
2. Maintain your machine regularly as stated in this manual.



**WARNING:** The engine exhaust from this product contains chemicals known to the State of California to cause cancer, birth defects or other reproductive harm. Operate in well ventilated area only. Engine exhaust is deadly.



# SAFETY PRECAUTIONS

- High operating temperatures of sealant and machine require protective clothing, hard soled shoes and heat resistant gloves be worn by operator.

- Always wear eye protection.



- Observe all **CAUTION AND WARNING** signs posted on machine.



- Avoid the entrance of water into any part of the machine.

- Avoid bodily contact with hot sealant material, serious burns may result.

- Read Operator Manual thoroughly before operating machine.

- Make sure operator is familiar with machine operation.

- Do not operate in closed building or confined areas.

- Shut-down burner and engine prior to refilling propane tank.

- When adding solid material to sealant tank, stop mixer, lift lid, place material onto lid and close lid before restarting mixer. Hot material could splash and cause serious burns if this procedure is not followed.

- Keep hands, feet, and clothing away from all moving parts.



- Always keep a fire extinguisher near the unit. Maintain extinguisher properly and be familiar with its use.

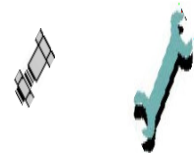


- Follow operating instructions for starting and shut-down of burner. Instructions are mounted on control box.

- Calibrate temperature control prior to initial operation and each 50 hours of operation. See page 16 step by step instruction.

- Replace any hoses which show signs of wear, fraying, or splitting. Be sure all fittings and joints are tight and leak-proof.

- Precaution is the best insurance against accidents.



- The BAX 250 Melter should not be left unattended with burner lit.

- Tighten all bolts and screws after every 100 hours of operation.

- Crafcoc, Inc. assumes no liability for an accident or injury incurred through improper use of the machine.

## LIMITED WARRANTY

Crafco, Inc., through its authorized distributor, will replace for the original purchaser free of charge any parts found upon examination by the factory at Mesa, Arizona, to be defective in material or workmanship. This warranty is for a period within 60 days of purchase date, but excludes engine or components, tires, and battery as these items are subject to warranties issued by their manufacturers.

After 60 days, Crafco, Inc., warrants structural parts, excluding heating system, hydraulic components, material pump and hoses, applicator valves, and electrical components for a period of (1) one year from date of delivery. Crafco, Inc., shall not be liable for parts that have been damaged by accident, alteration, abuse, improper lubrication/maintenance, normal wear, or other cause beyond our control.

The warranty provided herein extends only to the repair and/or replacement of those components on the equipment covered above and does not cover **labor** costs. The warranty does not extend to incidental or consequential damages incurred as a result of any defect covered by this warranty.

All transportation and labor costs incurred by the purchaser in submitting or repairing covered components must be bore by the purchaser.

Crafco, Inc. specifically disavows any other representation, warranty, or liability related to the condition or use of the product.



**WARNING:** Use of replacement parts other than genuine Crafco parts may impair the safety or reliability of your equipment and nullifies any warranty.

# WARRANTY CLAIM INSTRUCTIONS

Please follow the instructions stated below when calling in a Warranty Claim. Failure to follow these procedures may be cause to void the warranty.

1. Call your local CrafcO Distributor. If you do not know who your local distributor is, call a CrafcO Customer Service Representative, (Toll Free 1-800-528-8242) for name, location, and telephone number.
2. On contacting the distributor, be prepared to identify the machine type, model number, and serial number, also, the date of purchase if available.
3. Should the cause of the malfunction be a defective part, the distributor will advise you of the procedure to follow for a replacement.
4. The warranty is valid only for parts, which have been supplied or recommended by CrafcO, Inc.

If you have any additional questions regarding warranty repairs and parts, please do not hesitate to call toll free 1-800-528-8242.

CRAFCO, INCORPORATED  
25527 SOUTH ARIZONA AVENUE  
CHANDLER, AZ 85248  
480-655-8333  
Toll Free 1-800-528-8242



# SPECIFICATIONS

Vat Capacity.....	25 Gallons
Melt Capacity.....	20 Gallons/Hour
Tank Construction.....	Direct Fired Type Construction
Tank Opening Size.....	18" X 6"
Maximum Heat Input.....	Vapor Burner 75,000 BTU's
Burner and Temperature Control.....	Automatic - Fail Safe
Engine - Kohler.....	Single Cylinder
Model CH-14 - Propane Fueled	20 BHP @ 3,600 rpm
Drive Mechanism.....	All Hydraulic Mixer and Material Pump
Mixer.....	High Speed Two Pitched Blade Agitator
Dry Weight.....	Approximately 1,189 lbs.
Propane Bottle (1).....	100 lbs.
Generator.....	24 VAC, 3-PHASE
Hydraulic Tank Capacity.....	12 Gallons

# BAX 250 MELTER

## INTRODUCTION

The CRAFCO BAX 250 MELTER was developed to melt CRAFCO Brand Sealant. However, it will work equally well with all road asphalt and federal specification crack or joint sealant.

**DO NOT** operate machine without following these instructions:

1. Fill propane tank.
2. Check engine crankcase oil level (refer to Engine Operator's Manual).
3. Check hydraulic fluid level, at ambient temperature. Add fluid if necessary to bring to correct level.
4. All toggle switches should be turned "**OFF**" and all temperature control dials at minimum settings.
5. Remember that safe operation of this equipment is the operator's responsibility.

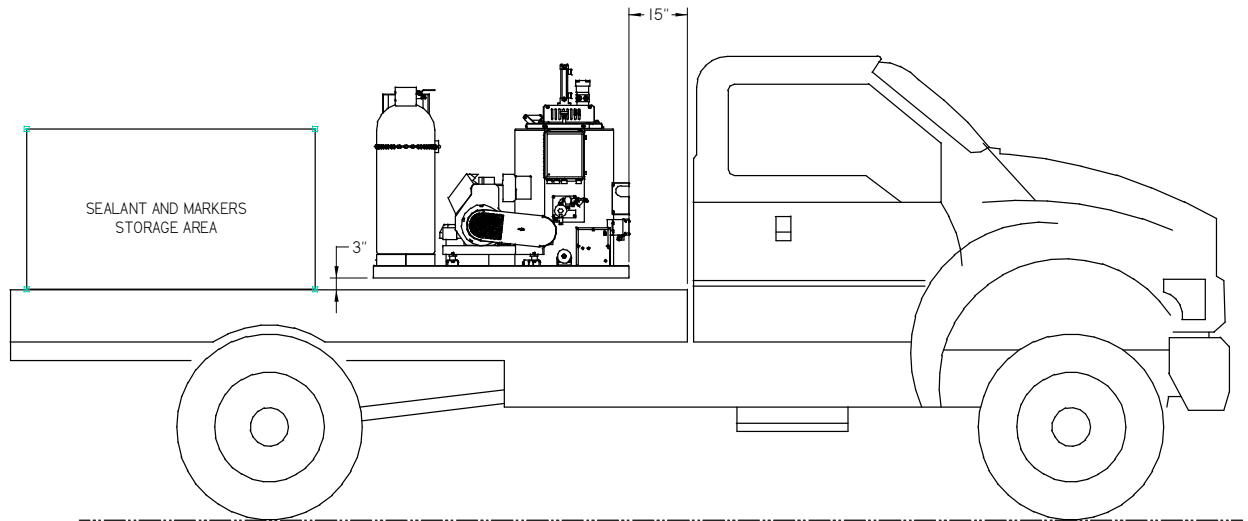


### **CAUTION:**

Extreme care must be used when operating this equipment. Safety is the result of being careful and paying attention to details. Remember the propane flame is about 2,200° F. Certain exposed parts of this machine, when operating reach 500° F.; the sealant as high as 400° F. and the hydraulic fluid may reach 200° F. Always wear protective clothing, hard-soled shoes, and eye protection. Be sure that all joints and fittings are tight and leak proof. Immediately replace any hose, which shows any signs of wear, fraying, or splitting. Tighten all bolts, nuts, and screws every 250 hours.

## MOUNTING THE BAX 250 MELTER

1. Only mount the unit to a metal truckbed or any other non-flammable surface.
2. Mount unit 3" above the truckbed. Mount with four(4) 1/2" bolts minimum.
3. Leave 15" clear all around machine.



# MACHINE START UP

## TO START BURNER

1. Open the vent damper.
2. Open LPG tank valve and ball valve at cylinder.
3. Start engine per instruction below.
4. Turn “ON” power toggle switch at control box.
5. Set material temperature at manufacturers recommended temperature.



### CAUTION:

If burner does not ignite the first time, turn temperature dial to off. Turn temperature dial to desired setting. Burner should ignite. If burner still does not ignite, determine cause of malfunction (see Burner Trouble Shooting Guide pg. 22).

## STARTING THE ENGINE

Choke engine, turn the ignition key to start position. Engine should start. After engine starts, allow to warm up before using hydraulics or generator.

## STARTING THE MIXER

When the sealant material reaches 275° F, engage the mixer by moving the toggle switch to “ON” (switch located on hydraulic panel.) If the mixer does not move, allow material to heat longer. Jamming of mixer shaft causes hydraulic oil to overheat and machine damage could occur. Remember, mixer does not start with melter lid open. The mixer speed is preset for optimum performance for the factory.

## HEATED HOSE, WAND, AND CONTROLLER



### CAUTION:



The hose must be up to temperature before dispensing can take place. **IMPORTANT!! DO NOT** twist or kink hose. Avoid sharp bends and continuous twisting. Maintain minimum 10” bend radius. **DO NOT** exceed 400 degrees!! **DO NOT** move or bend hose when cold. Damage may result.

The heated hose supplied with the machine is Teflon lined with a stainless steel overbraid. It has a heating element which runs down the hose to heat the material within the hose. The hose is insulated with silicone foam rubber and is covered with a durable rubber outer covering. The wand has an aluminum tube to protect both the wand and the operator. The pistol grip actuator is equipped with an electric switch which when depressed sends a signal to actuate the pump. At the end of the wand, a high temperature elastomeric output valve is attached. The valve is pressure actuated and opens automatically when fluid pressure is applied. The wand is equipped with a trigger lock to prevent accidental pump actuation when not pumping material.

The trigger should be in the “LOCKED” position at all times except when intentionally pumping material.

When the material temperature reaches 325° F, turn “ON” the hose toggle switch. Adjust the temperature dial to approximately 400 degrees. The hose will come up to temperature in approximately 30 minutes. After the hose has reached its preset temperature, the light in the control box will turn off and the temperature may be reduced to approximately 360 degrees. It is advisable to run the hose at the lowest temperature setting possible. When you are ready to dispense material turn the shutdown toggle switch to the “OFF” position.



## DISPENSING THE MATERIAL



**NOTE: PROTECTIVE CLOTHING, GLOVES, HARD-SOLED SHOES, AND FACE SHIELD OR SAFETY GLASSES SHOULD BE WORN WHEN OPERATING OR FILLING THIS EQUIPMENT. READ ENTIRE MANUAL BEFORE OPERATING.**

The wand is equipped with a disposable duckbill valve on the end, which shuts off the flow of material when the pump is turned off and prevents excessive dripping of material. This valve also directs the material into a stream for easy application onto the pavement. Other sealing tips are available. See your local distributor for options.

Some difficulty may be encountered when starting up on cold days. Although the wand is designed to heat the material all the way down to the tip, on cold days it may be necessary to place the tip of the wand under the lid to facilitate material melting in the valve. Insert the wand tip for only a short time before proceeding.

When the material and the hose have reached proper application temperature, you are ready to dispense material. Install bottom reed switch and cylinder should return to top. With the wand tip inserted into the tank, depress trigger on the wand. Material should start to flow from the tip of the duckbill valve. Adjust the stroke of the cylinder by moving the bottom reed switch up or down for the desired rate of flow for the application and dispense material as required.



**NEVER POINT THE WAND AT ANY PART OF THE BODY OR AT ANY OTHER PERSON. HOT MATERIALS CAN CAUSE SEVERE BURNS. WEAR PROTECTIVE EQUIPMENT WHEN FILLING OR OPERATING THE EQUIPMENT. READ MANUAL BEFORE OPERATING EQUIPMENT.**



# LOADING THE MACHINE

**HOT MELT MATERIALS CAN CAUSE SEVERE BURNS. PROTECTIVE CLOTHING SHOULD BE WORN AT ALL TIMES WHEN FILLING OR OPERATING THIS EQUIPMENT. READ THE ENTIRE MANUAL BEFORE OPERATING.**

Material may be added to the melter when it is hot or cold. The agitator will turn “OFF” when lid is opened to add material.

Use marker adhesive boxed in the appropriate size for the BAX 250.

To load, lift the lid of the melter and slowly add material to the desired level. **DO NOT OVERFILL. DO NOT FILL MORE THAN 6 INCHES FROM THE TOP EDGE.**

**IMPORTANT!!** Care should be taken to avoid getting foreign particles such as road gravel, dirt, and debris in the material. Debris of this nature can clog or damage the output line and pumping system.

The solid material must be added at intervals, which will allow the mixer to rotate without jamming. If blocks of material are fed in too quickly, jamming will result and slow down the melting process.

## SHUTDOWN AND CLEAN-OUT PROCEDURE

When shutting down the machine for the day, CrafcO recommends leaving the material level at or below agitator paddles. This will give a fairly rapid heat up rate in the morning, but will allow enough material to start dispensing right away when the material becomes molten.

1. Run material level below the top of the agitator paddle or as close to empty as possible.
2. Open ball valve at hose connection, place a box or metal bucket under valve.
3. Turn shot size knob to the “FULL” position and move the shutdown switch to the “ON” position, then extend the cylinder by activating the pump. Close the ball valve.
4. Turn material temperature down to 200° F and allow material temperature to drop 100° F while the agitator is running.
5. Turn power toggle switch to the “OFF” position.
6. Store hose in a safe area on the truck or trailer bed and secure.
7. Turn the agitator toggle switch to the “OFF” position.
8. Turn the engine “OFF” at the engine ignition switch.
9. Close LPG ball valve and tank valve.

## STORING MACHINE

The BAX 250 should be stored in an area where moisture cannot enter machine heating system, such as controls, etc. The heated hose must be stored safe area on the truck or trailer bed and secured before traveling. Extended down time can cause moisture build up. Do not travel with melter running.

# INSTRUCTIONS FOR ORDERING PARTS

Parts may be ordered from your local CRAFCO distributor or directly from CRAFCO, Inc. if a distributor is not available in your area. When ordering parts, give the following information:

1. Part Number.
2. Machine Model.
3. Serial Number.

**Write, telephone, or fax:**

CRAFCO, INCORPORATED  
25527 SOUTH ARIZONA AVENUE  
CHANDLER, AZ. 85248  
Phone: 480-655-8333  
Fax: 480-655-1712  
Toll Free: 1-800-528-8242



## **ELECTRIC HOSE CARE AND CAUTIONS**



Twisting and kinking of the electric hose (used on LF, BAX, SS60, and SS125 Melter) is the number one cause of hose failure.

When this happens, the electric heating wires are shorted out to the metal hose cover and the hose stops heating.

**This type of failure is not covered under the CrafcO warranty.**

To help prevent twisting and kinking and the resulting hose damage, the operator should:

- a. Not move or use hose unless it has been turned on a least 35 minutes and set at a minimum temperature of 300° F.
- b. Make sure hose swivel between hose and wand moves freely.
- c. Limit the hose bending to a radius of 10 inches.
- d. Avoid bending the hose over sharp edges such as the edge of the frame or tank.
- e. Avoid twisting.
- f. Do not exceed 400° F. on the hose controller or material temperature.

- g. Follow all instructions of the melter as well as those in the instruction manual.
- h. Avoid pulling hose beyond its limits.

## HOSE TRANSPORT INSTRUCTIONS

The heated hose must be stored safe area on the truck or trailer bed and secured before traveling.

### **CAUTION:**



Hose damage will occur if:

- a. Hose is bent or moved when cold.
- b. Hose is twisted or bent at less than a 10 inch radius.
- c. Hose is moved prior to being turned on at least 35 minutes and set at 380° F.
- d. Operator crosses over or under hose causing hose to twist or wires between hose and wand connection to twist or wrap up.
- e. Swivel is cold and not free to move allowing hose to twist.
- f. Hose to wand wiring is pulled, stressed, or used to support the wand.



# MAINTENANCE INSTRUCTIONS AND CHART

## ENGINE

Check oil every 8 hours of operation. Change after the first 5 hours of operation and change every 50 hours thereafter.

See engine owners manual for additional operating and maintenance instructions.

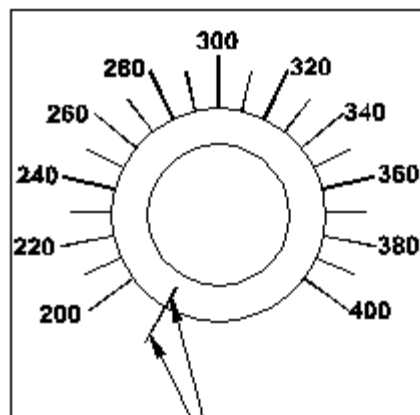
## HYDRAULIC SYSTEM

Check hydraulic fluid every 8 hours. Change hydraulic filter every 250 hours. Change hydraulic fluid every 500 hours of operation.

LOCATION	PROCEDURE	HOURS			
		8	50	250	500
Engine check oil level	See engine instruction manual.	*			
Other engine maintenance	See engine operating and maintenance instructions.				
Battery	Check water level weekly.		*		
Hydraulic oil filter	Change oil filter.			*	
Hydraulic oil	Check oil.	*			
Hydraulic oil	Change oil.				*
Hydraulic oil	For proper oil, see recommended fluids & lubricants.				
Belt tension	Tighten to 1/2" slack on tension side of belt			*	
Wire check	Check for cuts or breaks		*		
Hose inspection hydraulic and electric hose	Check for cuts and abrasions		*		

## TEMPERATURE CONTROL CALIBRATION

Check control knob calibration weekly. Calibrate by aligning the line on the control knob with the calibration line on the scale plate (see Fig. 1).



— Calibration Mark

**Fig. 1**

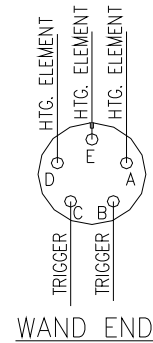
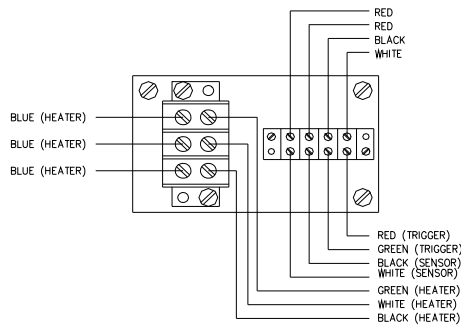
## SERVICE INSTRUCTIONS

1. Conduct a general inspection of your machine at least once a week. Replace all worn or damaged parts, make any necessary adjustments and tighten all loose nuts or screws.
2. Keep regular replacement items in stock for emergency repairs, to avoid costly “down” time.
3. Watch for leaks. Tighten fitting or repair as necessary.
4. Clean machine externally periodically. Check with sealant manufacturer for recommendation.
5. Follow recommended maintenance procedures on maintenance chart.

## RECOMMENDED FLUIDS AND LUBRICANTS

APPLICATION	RECOMMENDED	FULL POINT
Engine oil	Refer to Kohler owners manual.	4 Pts.
LPG	Propane	100 Lbs.
Hydraulic oil	Rondo Oil - HD - 68 Texaco	12 Gals.

# HOSE TROUBLE SHOOTING



## HOSE DOES NOT HEAT

**Step 1:** Is the “HEATED HOSE” switch “ON”?

**YES:** Go to step 2

**NO:** Turn switch “ON”.

**Step 2:** Is “HEATED HOSE” light illuminated?

**YES:** Go to step 3

**NO:** Check for tripped circuit breaker in front panel.

**YES:** Reset circuit breaker.

**NO:** Remove front panel and check for 12 volts at purple wire on hose switch.

**YES:** Go to step 2a.

**NO:** Check for 12 volts at circuit breaker in front panel.

**Step 2a:** Check for 12 volts at #3 terminal (purple wire) on Pak-Stat.

**YES:** Go to step 2b.

**NO:** Check wire connections or replace switch.

**Step 2b:** Check for 12 volts at #7 terminal (blue wire) when Pak-Stat is on.

**YES:** Go to step 3

**NO:** Replace Pak-Stat.

**YES:** Check wire connections (red wire) between circuit breaker and switch

**NO:** Check wire connections between “ACC” terminal on ignition switch and “A” terminal on plug #2.

**Step 3:** Check for 12 volts at “BATT” terminal on generator.

**YES:** Go to step 4

**NO:** Check wire connections between (blue wire) in control box to “BATT” terminal on generator.

# HOSE TROUBLE SHOOTING

**Step 4:** Check for 24 volts AC at the “BLACK”, “WHITE” and “GREEN” wires on the generator.

**YES:** Go to step 5.

**NO:** Replace generator.

**Step 5:** Check for 1.08K (1080) OHMS resistance of the hose sensor (black and white wire) at the junction box. (**NOTE: One of the sensor wires must be disconnected to check resistance**).

## MATERIAL DOES NOT DISPENSE WHEN PUMP IS ACTIVATED

**Step 1:** Is the pump cylinder extending?

**YES:** Go to step 2.

**NO:** Has the sealant had sufficient time to completely melt.

**YES:** Go to step 2.

**NO:** Allow material to heat longer.

**Step 2:** Has the hose had sufficient time to reach operating temperature?

**YES:** Go to step 3.

**NO:** Allow hose to heat longer.

**Step 3:** Check for continuity inside the control box on the red cube timer at purple 2 and purple 4 when the wand trigger is pulled.

**YES:** Go to step 4.

**NO:** Check for continuity inside the junction box green trigger wire and red trigger when the wand trigger is pulled wire coming from the control box.

**YES:** Check for damaged wires between the junction box and control box.

**NO:** Check for continuity inside the junction box between the (2) red trigger wires from the hose when the wand trigger is pulled.

**YES:** Replace terminal strip.

**NO:** Disconnect the hose and wand five pin plug. Check for continuity on the wand plug between “C” and “B” pins when the wand trigger is pulled.

**YES:** Your hose needs to be repaired, Contact Crafc0, Inc.

**NO:** Your wand needs to be repaired, Contact Crafc0, Inc.

**Step 4:** Is the top left light on the hydraulic valve illuminated when trigger is activated?

**YES:** Replace coil

**NO:** Is the shutdown toggle switch in the “ON” position?

**Yes:** Turn the toggle switch to the opposited position.

**No:** Go to step 5.

**Step 5:** Is there 12 VDC between the #9 relay terminal and #12 relay terminal in the control box when the trigger is pulled?

**YES:** Check the wiring between the control box and the hydraulic valve.

**NO:** Go to Step 6.

## PUMP TROUBLE SHOOTING

**Step 7:** Is there 12 VDC between the #13 relay terminal and #14 relay terminal in the control box when the trigger is pulled?

**YES:** Replace the relay cube.

**NO:** Go to step #8.

**Step 8:** Is there 12 VDC between the #1 cube timer terminal and #3 cube timer terminal in the control box when the trigger is pulled?

**YES:** Check the wires between the two relay for damage.

**NO:** Go to step #9.

**Step 9:** Is there 12 VDC between the #2 cube timer terminal and #3 cube timer terminal in the control box with out the trigger being pulled?

**YES:** Replace the cube timer.

**NO:** Call Crafc0, Inc. and speak to a customer service technician.

# BURNER TROUBLE SHOOTING

## BURNER WILL NOT IGNITE

- Step 1:** Check for 12 volts at toggle switch.  
**No:** Then toggle switch is "OFF"  
Fuse is "Blown"  
Broken wire  
**Yes:** Then go to Step 2



- Step 2:** Check for 12 volts at terminal #7 on material temperature thermostat.  
**No:** Then material temperature thermostat is bad  
**Yes:** Then go to Step 3

- Step 3:** Check for 12 volts at power terminal of spark control module.  
**No:** Then there is a bad connection or a broken wire  
**Yes:** Then there is a Faulty spark control module  
Faulty ignitor or ignitor wire  
Reposition ignitor  
Check for clogged burner orifice  
Inadequate gas flow/or pressure  
Faulty "ASCO" gas valve

## BURNER LIGHTS BUT SHUTS DOWN IN 3.5 SECONDS

- Faulty ignitor
- Broken or loose flame sensor wire
- Faulty spark control module

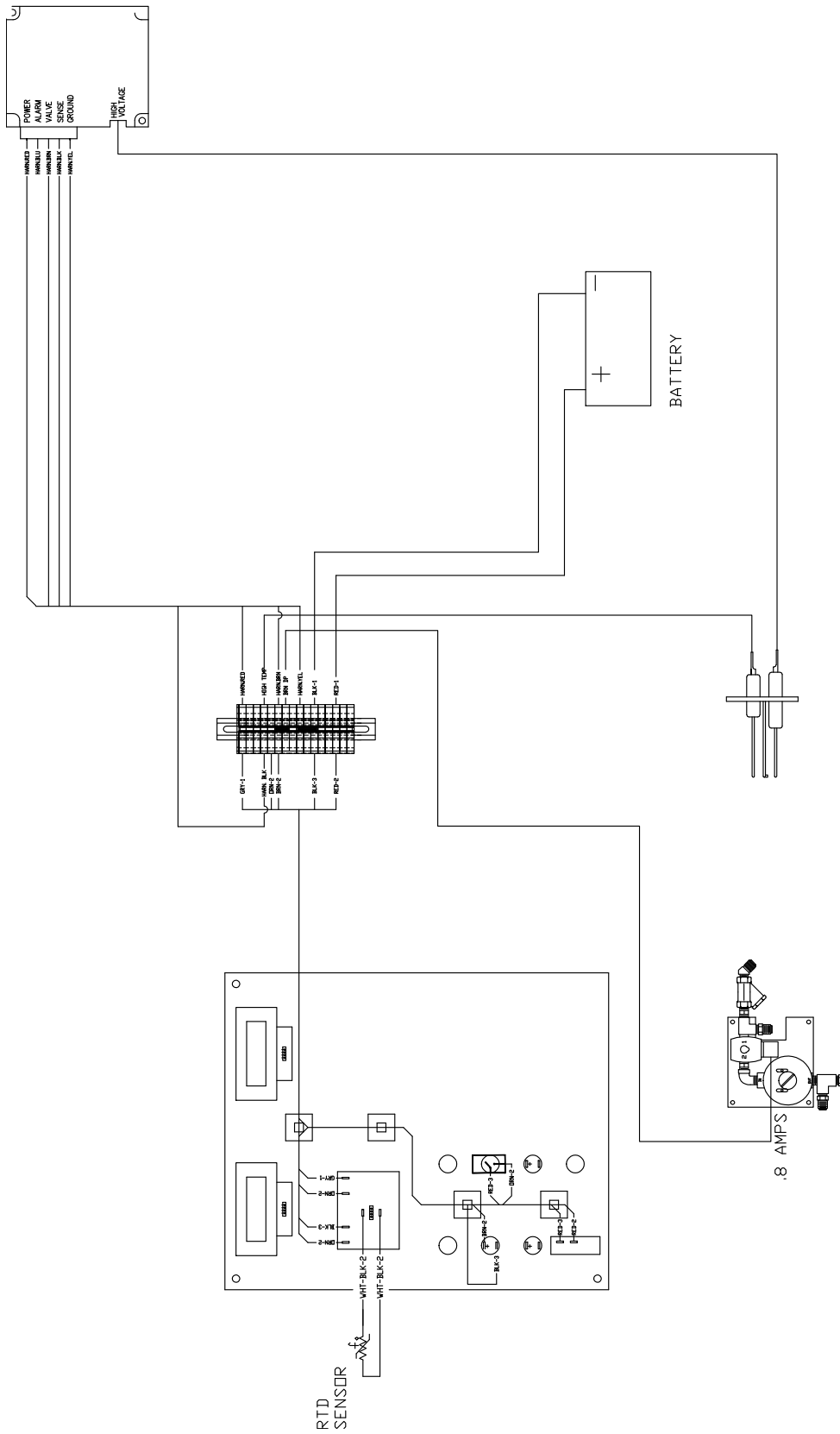
## BURNER LIGHTS BUT WILL NOT RELIGHT

- Calibrate thermostat
- Blown fuse
- Faulty spark control module
- Faulty sensor

## BURNER WILL NOT SHUT OFF @ TEMPERATURE SETTING

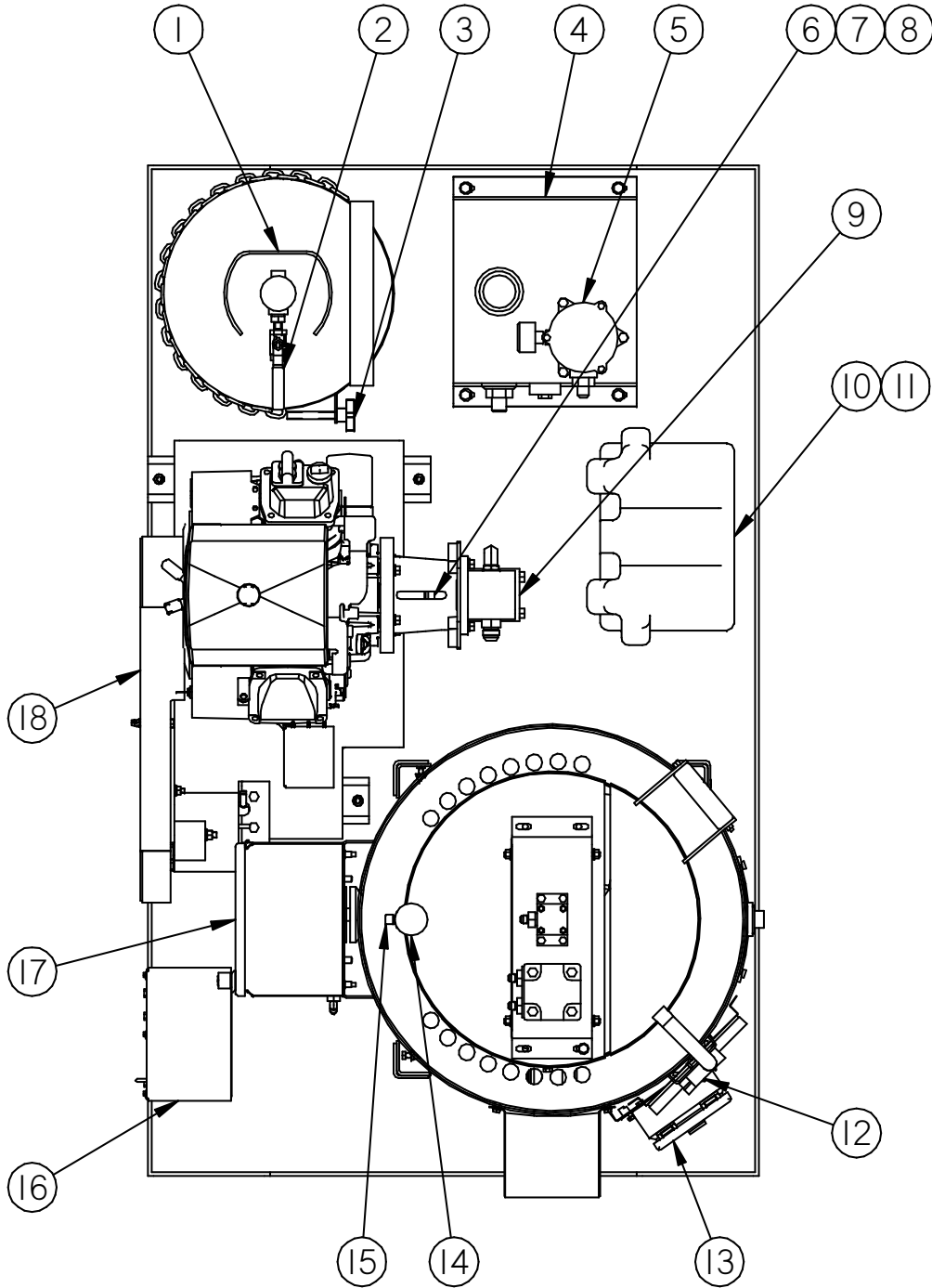
- Calibrate thermostat
- Dirt in "ASCO" valve
- Faulty sensors

# BURNER SCHEMATIC



BAX-250 LPG BURNER SCHEMATIC

# BAX 250 ASSEMBLY

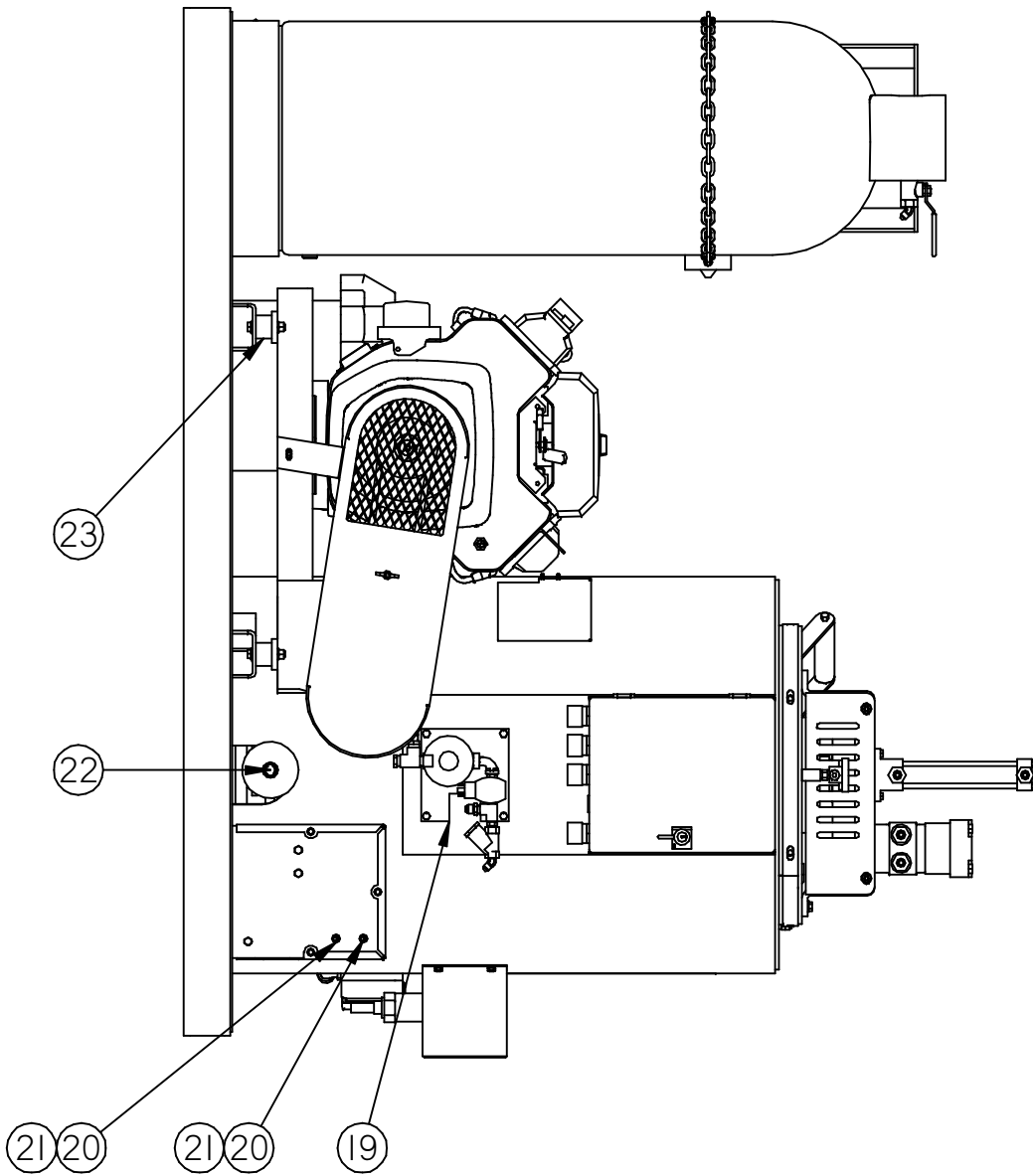




## BAX 250 ASSEMBLY

NUMBER	PART NUMBER	QTY.	DESCRIPTION
1	25118	1	LP TANK, 100#
2	25074	1	TANK SPUD ASSEMBLY
3	26032	1	KNOB, 1/2-13
4	44030	1	HYDRAULIC TANK ASSEMBLY
5	45438	1	REPLACEMENT HYDRAULIC FILTER
6	44830	1	SPIDER
7	44828	1	COUPLING HALF, 3/4" B
8	44829	1	COUPLING HALF, 1" B
9	45367	1	HYDRAULIC PUMP
10	24002	1	BATTERY BOX
11	24000	1	BATTERY, 12 VOLT
12	91133	1	SAFETY SWITCH
13	44027	1	JUNCTION BOX ASSEMBLY
14	43465	4	RTD SENSOR
15	51065	1	CORD GRIP
16	55385	1	MANIFOLD ASSY., HYD. - BAX
17	55350	1	CONTROL BOX ASSEMBLY
18	44310	1	POWER PACK

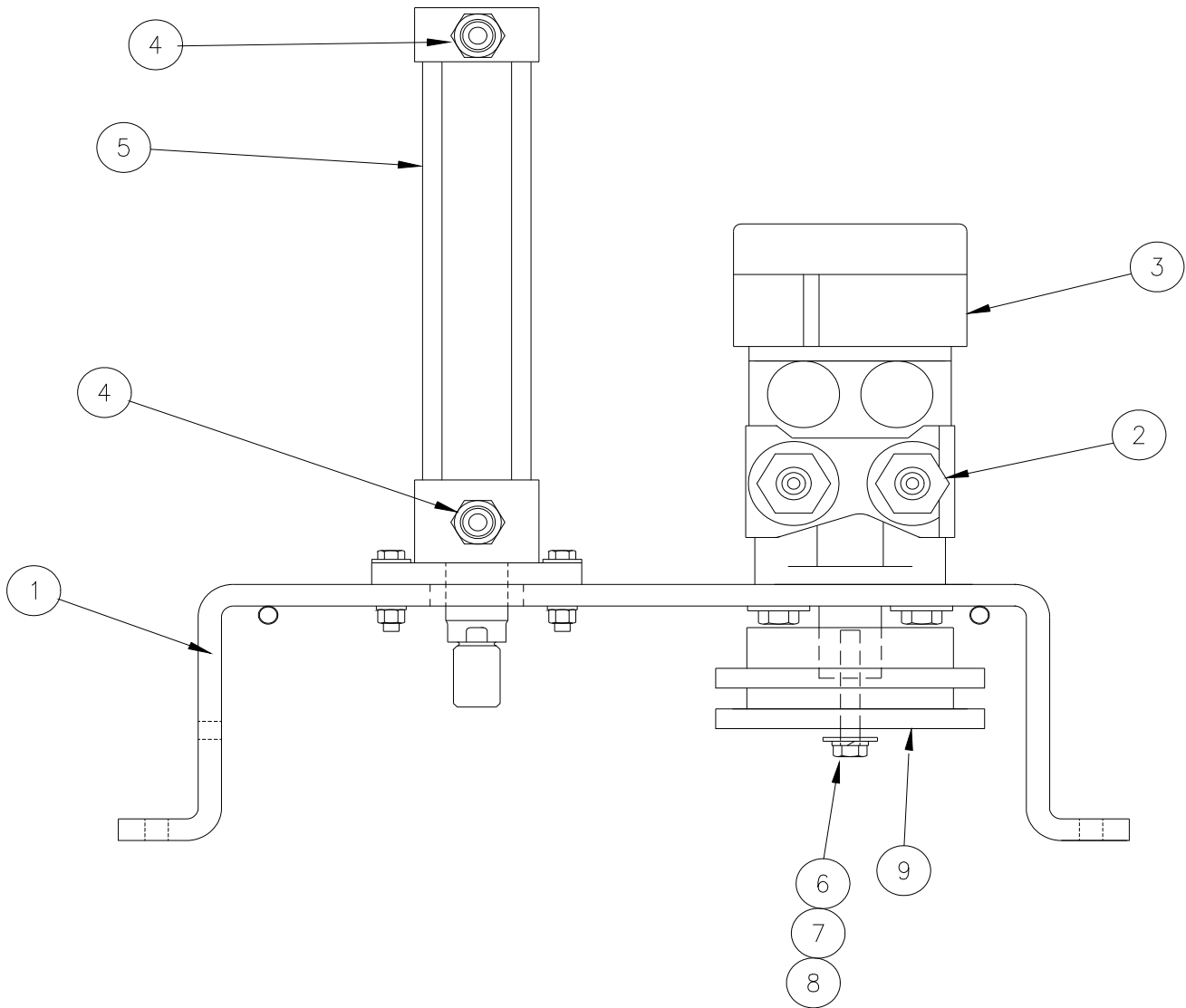
# BAX 250 ASSEMBLY



## BAX 250 ASSEMBLY

<b>NUMBER</b>	<b>PART NUMBER</b>	<b>QTY.</b>	<b>DESCRIPTION</b>
19	43430	1	GAS MANIFOLD ASSEMBLY
20	50719	2	TOGGLE SWITCH
21	50720	2	WATER TIGHT SWITCH COVER
22	55420	1	LPG BURNER ASSEMBLY
23	44385	4	ISOMOUNT
24	51735	1	ELECTRIC HEATED HOSE 10'
25	51080	1	24" WAND ASSEMBLY

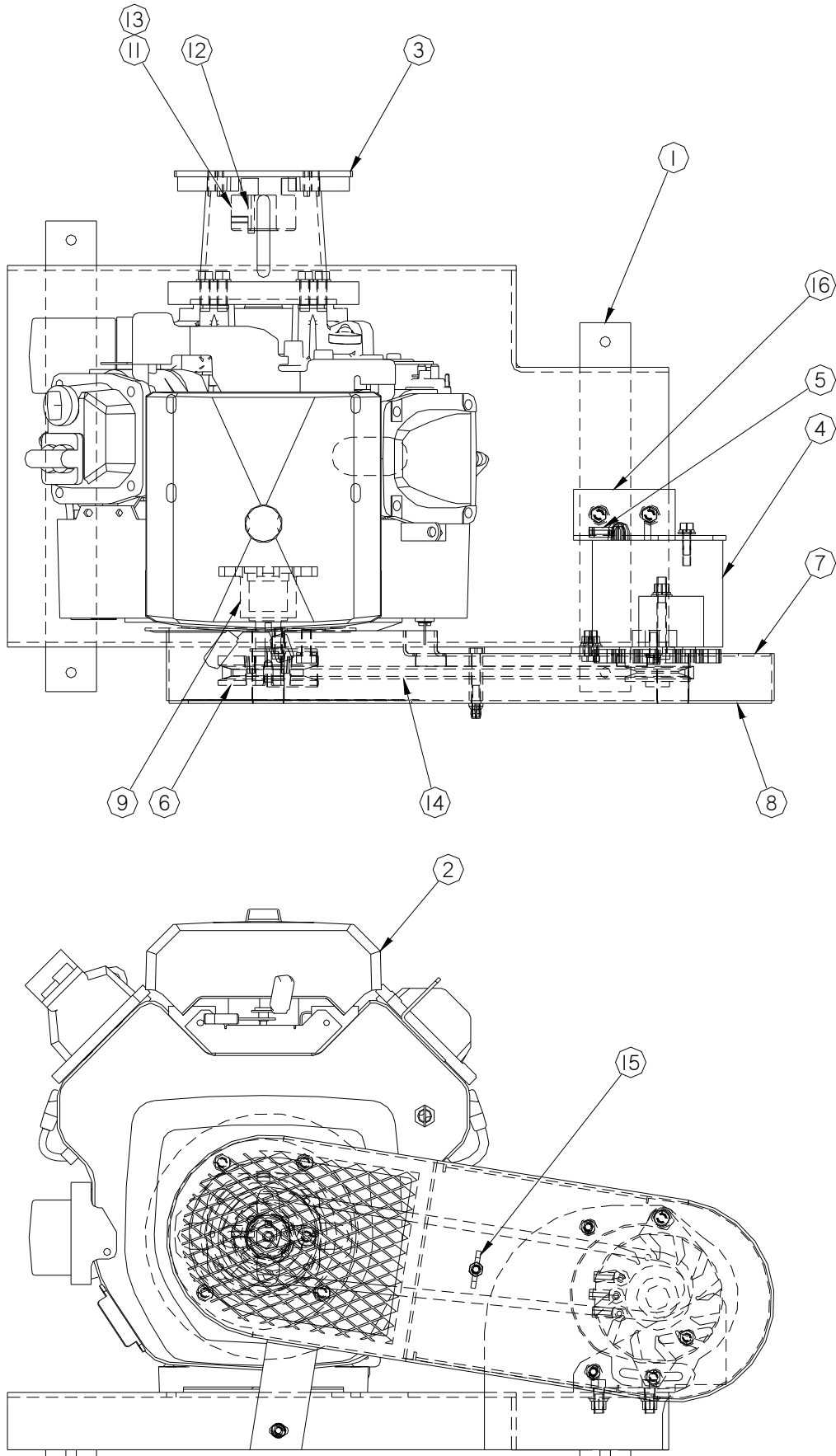
# PUMP/AGITATOR MOTOR ASSEMBLY



## PUMP/AGITATOR MOTOR ASSEMBLY

NUMBER	PART NUMBER	QTY.	DESCRIPTION
1	55413	1	CYLINDER MOUNT BRIDGE
2	22029	2	ADAPTER
3	22027	1	HYDRAULIC MOTOR
4	29834	2	JIC ADAPTER STR 6MJ-6MP
5	55329	1	AIR CYLINDER-NON-LUBE
6	28720	1	5/16 -18 NC. X 2" LG. BOLT
7	28681	1	5/16 FENDER WASHER
8	28646	1	5/16 LOCK WASHER
9	43323	1	SPROCKET

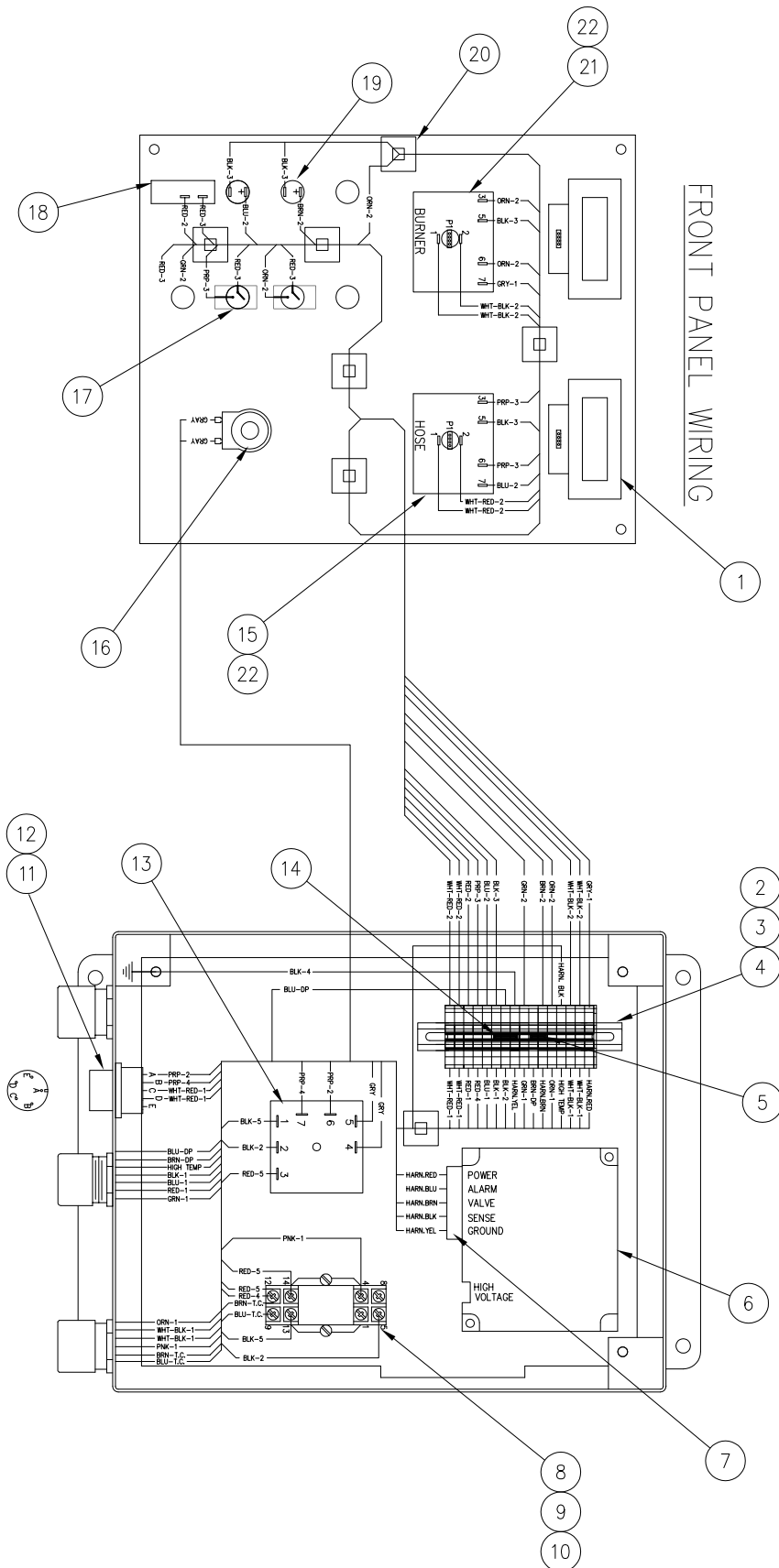
# POWER PACK ASSEMBLY



## POWER PACK ASSEMBLY

NUMBER	PART NUMBER	QTY.	DESCRIPTION
1	44309	1	MOUNTING BASE - ENGINE
2	44323	1	ENGINE, 20 HP
3	44379	1	HYD. PUMP ADAPTOR
4	43612	1	GENERATOR, 24 VAC
5	43887	3	TERMINAL BOOT
6	55340	1	PULLEY, DRIVE
7	44322	1	BELT GUARD - REAR
8	44320	1	BELT GUARD - OUTER
9	55341	1	DRIVE SHAFT, FRONT
10	29871	1	3/8 J X 1/4 NPT ELBOW (NOY SHOWN)
11	44829	1	1" BORE COUPLING
12	27017	1	SHAFT KEY
13	44830	1	SPIDER, COUPLING
14	43557	1	BELT, AX-39
15	28619	1	5/16-18 WING NUT
16	55358	1	ALTERNATOR BRACKET REAR SUPPORT

# CONTROL BOX ASSEMBLY

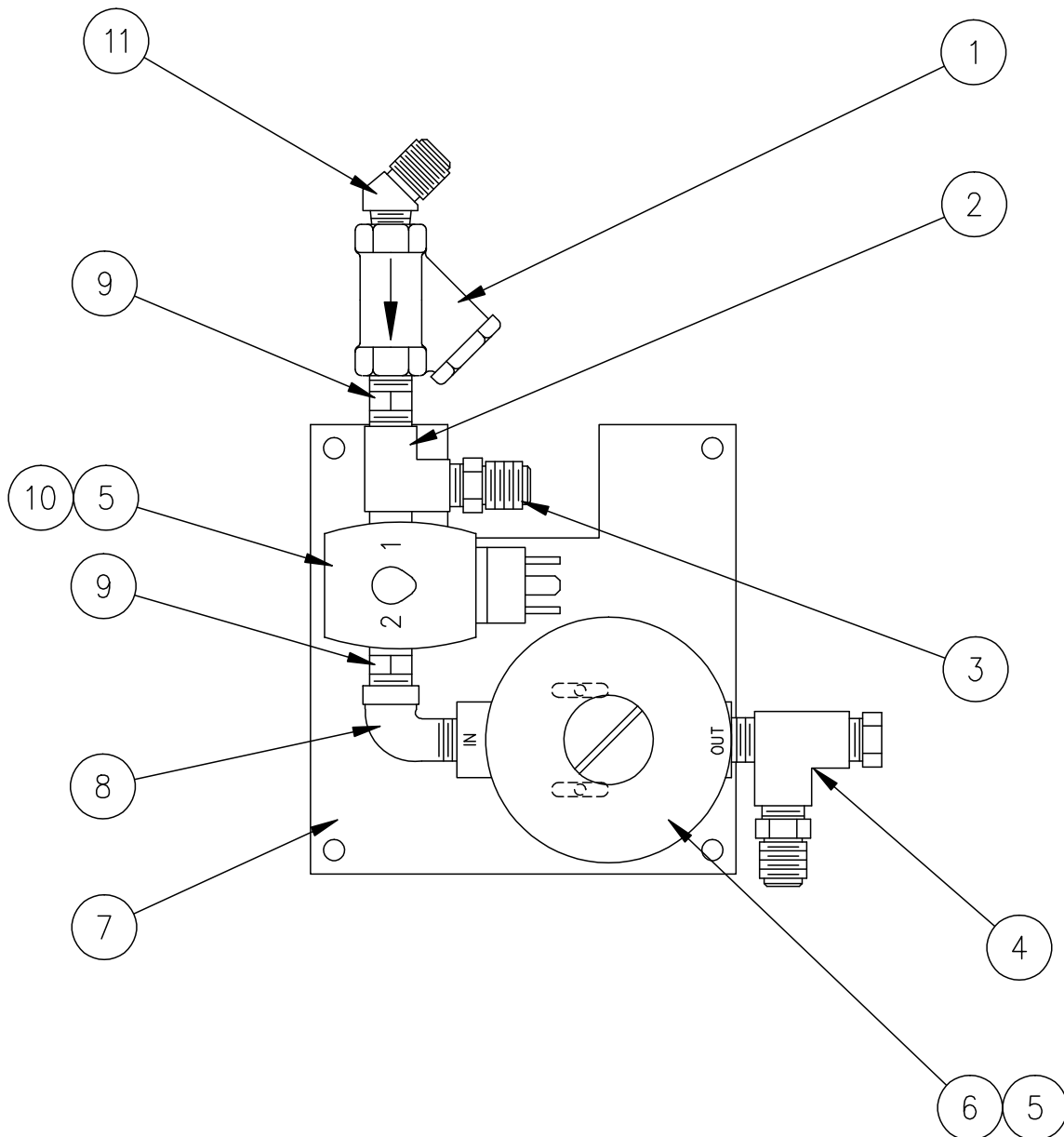




# CONTROL BOX ASSEMBLY

NUMBER	PART NUMBER	QTY.	DESCRIPTION
1	50251	2	LCD READOUT
2	51803	1	MOUNTING RAIL
3	51800	16	FEED THROUGH TERMINAL
4	51802	1	END BRACKET
5	51801	1	JUMPER, 2-POLE
6	25278	1	SPARK CONTROL MODULE
7	50559	1	WIRING HARNESS
8	51662	1	RELAY SOCKET
9	51661	1	RELAY, LATCHING 12VDC
10	51663	1	SPRING, RELAY
11	50215	1	5 PIN RECEPTACLE
12	50344	1	GASKET
13	55371	1	CUBE TIMER
14	51804	1	JUMPER, 3-POLE
15	43397	1	TEMPERATURE CONTROLLER 200-400 DEG.
16	55372	1	POTENTIOMETER
17	50719	2	TOGGLE SWITCH
18	51665	1	15 AMP CIRCUIT BREAKER
19	51651	2	PILOT LIGHT
20	43459	7	WIRE MOUNT
21	43391	1	TEMPERATURE CONTROLLER 150-550 DEG.
22	50593	2	KNOB, TEMPERATURE CONTROL (NOT SHOWN)

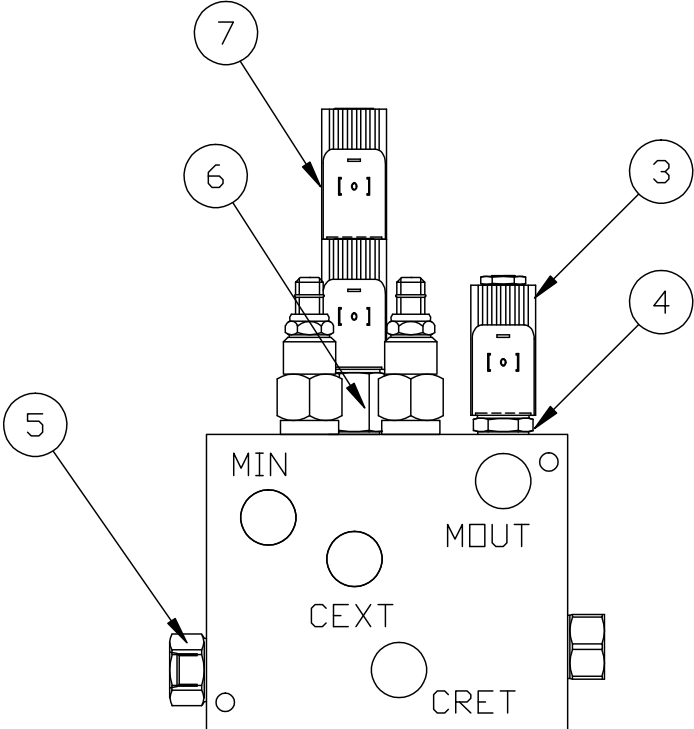
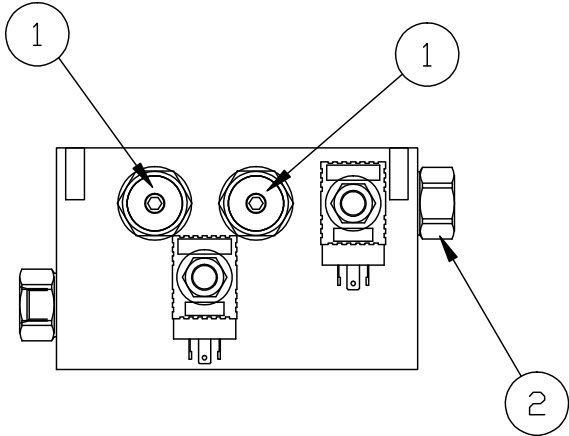
# GAS MANIFOLD ASSEMBLY



## GAS MANIFOLD ASSEMBLY

<b>NUMBER</b>	<b>PART NUMBER</b>	<b>QTY.</b>	<b>DESCRIPTION</b>
1	25208	1	1/4 STRAINER
2	29980	1	1/4 STREET TEE
3	29839	1	1/4 NPT X 3/8 JIC ADAPTOR
4	43441	1	3/8 JIC TEST PORT ELBOW
5	28825	4	8-32 X 3/8 THR. CUT SCREW
6	25087	1	FISHER REGULATOR
7	43761	1	MANIFOLD MOUNTING PLATE
8	28236	1	1/4 STREET ELBOW
9	51401	2	1/4 HEX PIPE NIPPLE
10	25236	1	SOLENOID VALVE
11	29857	1	1/4 NPT X 3/8 JIC 45°

# HYDRAULIC VALVE ASSEMBLY

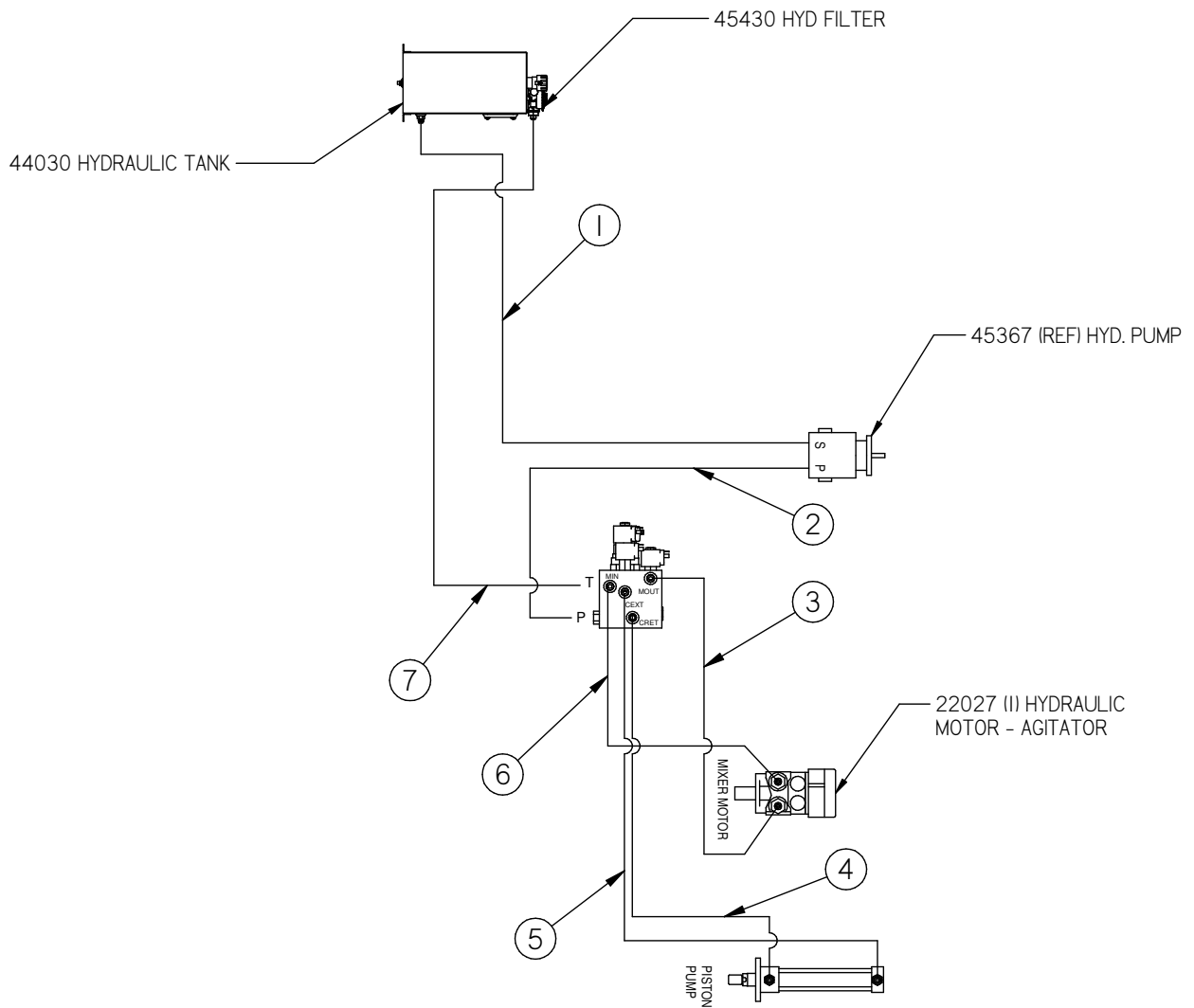


# HYDRAULIC VALVE ASSEMBLY

<b>NUMBER</b>	<b>PART NUMBER</b>	<b>QTY.</b>	<b>DESCRIPTION</b>
1	44812	2	RELIEF VALVE
2	-----	1	FLOW CONTROL 1.5 GALLON
3	43853	1	COIL - AGITATOR
4	44810	1	CARTRIDGE - AGITATOR
5	44837	1	PILOT TO OPEN CHECK
6	44888	1	CARTRIDGE - PUMP
7	44889	2	COIL - PUMP

# HYDRAULICS SCHEMATIC

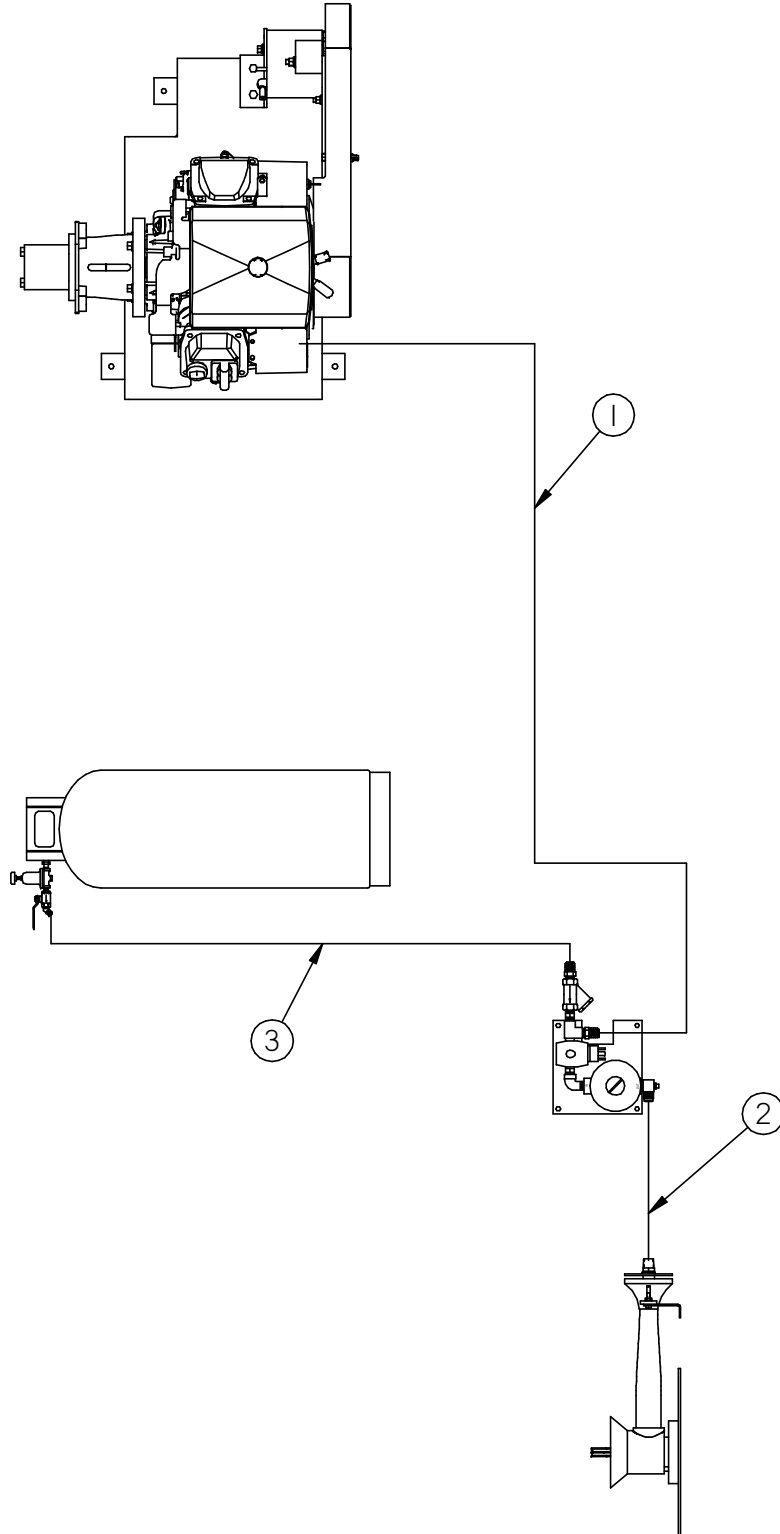
HYDRAULIC SYSTEM PRESSURE SET @ 500 PSI  
HYDRAULIC CYLINDER PRESSURE SET @250 PSI  
HYDRAULIC PUMP FLOW IS 8 GPM



# HYDRAULICS SCHEMATIC

<b>1. HYDRAULIC RESERVOIR TO HYDRAULIC PUMP (SUCTION)</b>		
1	29819	3/4 JIC TUBE X 3/4 O-RING STR. ADAPTER
1	C12-12FJ9-12FJ-13	HYDRAULIC HOSE ASSEMBLY
1	29819	3/4 JIC TUBE X 3/4 O-RING STR. ADAPTER
<b>2. HYDRAULIC PUMP "PRESS" PORT TO HYD. VALVE "P" PORT</b>		
1	29863	1/2 O-RING STR. ADAPTER X 5/8 JIC ELBOW
1	AX8-10FJ-8FJ9-45	HYD. HOSE ASSEMBLY
1	29919	3/8 JIC TUBE X 1/2 O-RING STR ADAPTER
<b>3. MIXER MOTOR (REAR PORT) TO HYDRAULIC VALVE "MOUT" PORT</b>		
1	22029	3/8 TUBE X 5/8 O-RING ADAPTER
1	AX6-6FJ9L-6FJ-50	HYD. HOSE ASSEMBLY
1	40311	3/8 JIC TUBE X 3/8 O-RING ADAPTER
<b>4. HYDRAULIC CYLINDER TO HYDRAULIC VALVE "CRET" PORT)</b>		
1	29881	3/8 JIC TUBE X 1/4 PIPE STR. ADAPTER
1	AX6-8FJ9L-6FJ-52	HYDRAULIC HOSE ASSEMBLY
1	29919	1/2 JIC TUBE X 3/8 O-RING STR. ADAPTER
<b>5. HYDRAULIC VALVE "CEXT" PORT TO HYDRAULIC CYLINDER</b>		
1	40311	3/8 TUBE X 3/8 O-RING ADAPTER
1	AX6-6FJ9L-6FJ-57	HYDRAULIC HOSE ASSEMBLY
1	29834	3/8 JIC TUBE X 3/8 PIPE STR. ADAPTER
<b>6. HYDRAULIC VALVE "MIN" PORT TO MIXER MOTOR (FRONT)</b>		
1	29919	3/8 JIC TUBE X 1/2 O-RING ADAPTER
1	AX86-8FJ9L-6FJ-48	HYDRAULIC HOSE ASSEMBLY
1	22029	3/8 TUBE X 5/8 O-RING ADAPTER
<b>7. HYDRAULIC VALVE "T" PORT TO HYDRAULIC FILTER (RETURN)</b>		
1	29897	1/2 O-RING ADAPTER
1	AX8-8FJ9-12FJ-79	HYDRAULIC HOSE ASSEMBLY
1	29991	1 1/4 O-RING X 3/4 JIC ADAPTER

# LPG PIPING DIAGRAM

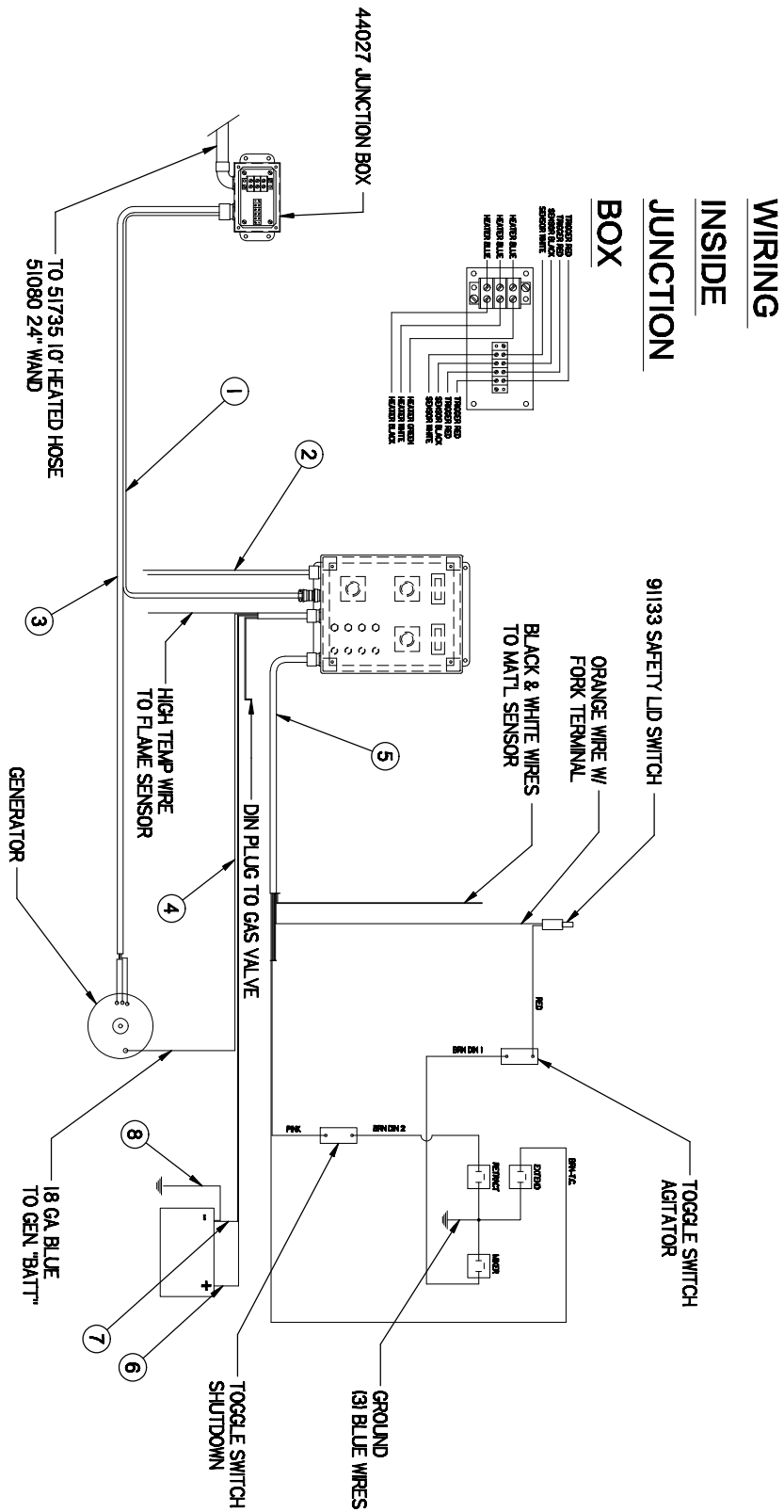




# LPG PIPING DIAGRAM

<b>1. L.P.G TANK TO MANIFOLD</b>		
1	25074	TANK SPUD ASSEMBLY CONTAINS:
REF	25123	TANK SPUD
REF	29195	1/4 BALL VALVE
REF	29857	3/8 TUBE X 1/4 NPT 45 ELBOW
1	LPG-99	HOSE ASSEMBLY, 3/8 X 99"
1	29839	3/8 TUBE X 1/4 NPT ADAPTER
<b>2. MANIFOLD TO BURNER</b>		
1	43441	3/8 TUBE X 3/8 NPT ELBOW WITH TEST PORT
1	LP6-18	HOSE ASSEMBLY, 3/8 X 18"
1	29946	3/8 TUBE X 1/4 NPT FEMALE ELBOW
<b>3. MANIFOLD TO POWERPACK</b>		
1	29839	3/8 TUBE X 1/4 NPT ADAPTER
1	LP6-66	HOSE ASSEMBLY, 3/8 X 66"
1	29871	3/8 TUBE X 1/4 NPT ELBOW

# ELECTRICAL SCHEMATIC



## ELECTRICAL SCHEMATIC

<b>NUMBER</b>	<b>PART NUMBER</b>	<b>QTY</b>	<b>DESCRIPTION</b>
1	43933	1	TRIGGER/SENSOR CABLE
2	43979	1	HI-VOLTAGE CABLE
3	43932	1	HOSE CABLE
4	43934	1	BURNER CABLE
5	43935	1	TRIGGER AND LID CABLE
6	24015	1	BATTERY CABLE, POSITIVE 38"
7	32602	1	BATTERY CABLE, NEG. 20"
8	37038	1	BATTERY CABLE, NEG. 22"

---

---

**Pioneering Leadership and  
Innovation in Quality  
Pavement Maintenance  
Products.**



**25527 South Arizona Ave. · Chandler, Arizona 85248  
480-655-8333 · Watts 1-800-528-8242  
Fax 480-655-1712**

© Copyright 2002 by Crafco, Inc.